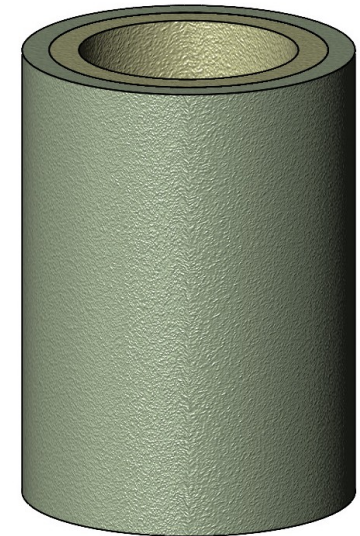
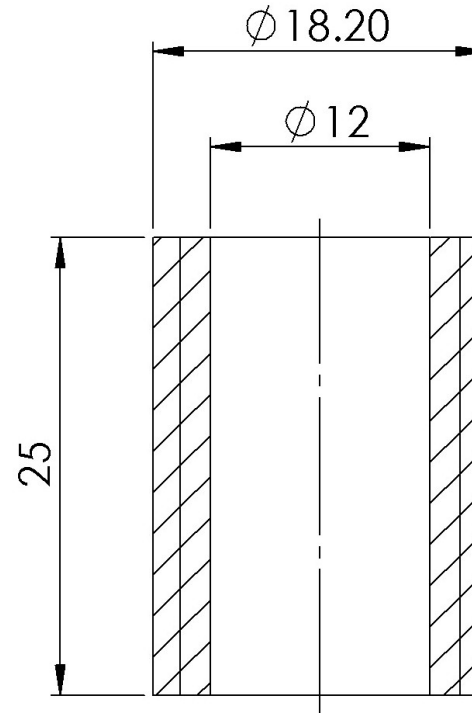




Filter Element: 12-25-70CS

| Technical Specification | |
|----------------------------------|---|
| Description | Disposable Coalescing Filter Element |
| Materials of Construction | Borosilicate Glass Microfibres bonded with Silica inorganic resin only |
| Filtration Efficiency | Better than 95.0+% removal of 0.1 micron particles |
| Air Flow Resistance | Less than 0.6KPa at 6m/min in air at 25°C |
| Dimensions | I.D. - 12mm ± 0.25mm |
| | O.D. - 19.0mm ± 1.5mm |
| | Length - 25mm ± 0.25mm |
| Strength (dry) | Burst minimum - 5.0 Bar |
| | Collapse minimum - 2.0 Bar |
| Temperature Resistance | -50°C to +500°C maximum air |
| Chemical Resistance | Resistant to all mineral, vegetable and synthetic compressor lubricants |
| | Consult chemical resistance chart for other gases and liquids |
| | |



For further specific information please contact our Technical Department
This is a guide only

| | | | |
|--|--|--|--|
| Headline Filters Limited Mill Hall Business Estate Aylesford Kent, ME20 7JZ www.headlinefilters.com info@headlinefilters.com | Filter Element: 12-25-70CS | | THE COPYRIGHT OF THIS DRAWING IS RESERVED BY HEADLINE FILTERS. IT IS ISSUED ON CONDITION THAT IT IS NOT COPIED, REPRODUCED OR DISCLOSED TO A THIRD PARTY EITHER WHOLLY, OR IN PART WITHOUT CONSENT IN WRITING. |
| | Material: Borosilicate Glass Microfibres bonded with Silica inorganic resin only | | |
| DO NOT SCALE DRAWING IF IN DOUBT ASK | | | |