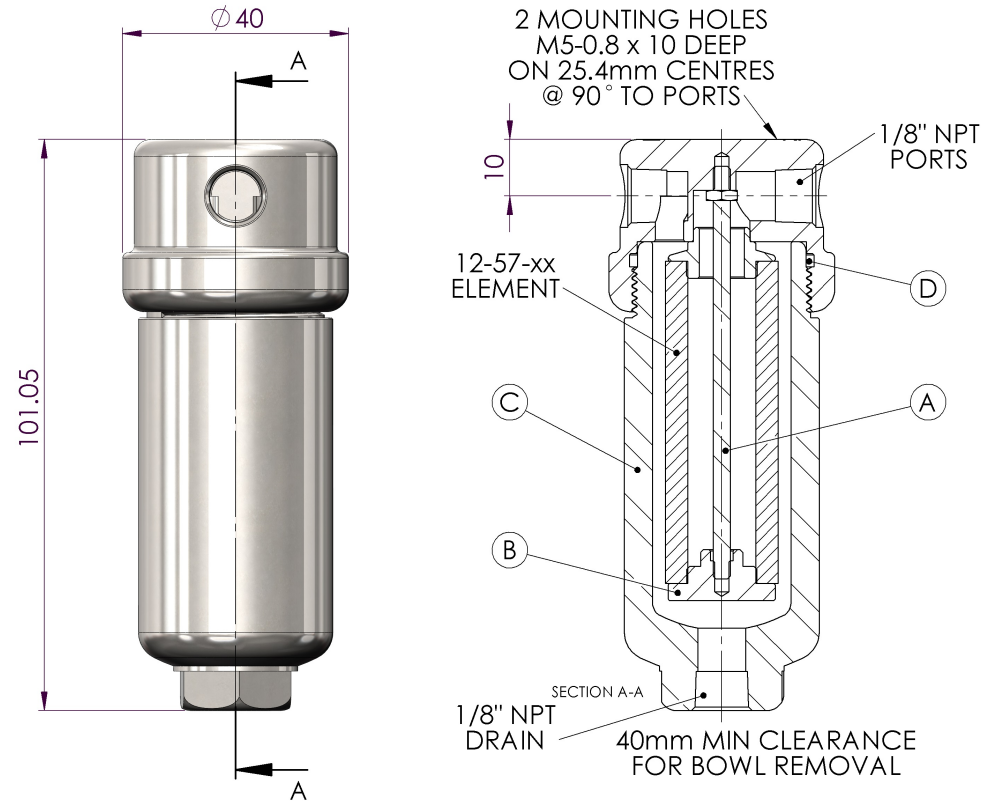


HF HeadlineFilters

Model: 120 (1/8" NPT)

Replacement Parts List	
12-57-xx	Disposable Filter Element
SS-12-57-xx	Stainless Steel Filter Element
PT-12-57-xx	PTFE Filter Element
TR120	Tie Rod (A)
ER110	Element Retainer (B)
SC120	Support Core (Not Pictured)
SSB 120	316L Stainless Steel Bowl (C)
MB110	Mounting Bracket (Not Pictured)
Oxygen Cleaning Service Available Note – Please replace "xx" with micron rating or grade	
Available O-Rings	
GN110	Nitrile
GV110	Viton (Standard) (D)
KZ110	Kalrez™
GS110	Silicone

For a Solid PTFE Gasket – Order a 120S



Please Note: Exotic Materials are available, for Alloy C-276 (120H) and for Alloy 400 (120M).

Headline Filters Limited Mill Hall Business Estate Aylesford Kent, ME20 7JZ www.headlinefilters.com info@headlinefilters.com	Model 120		THE COPYRIGHT OF THIS DRAWING IS RESERVED BY HEADLINE FILTERS. IT IS ISSUED ON CONDITION THAT IT IS NOT COPIED, REPRODUCED OR DISCLOSED TO A THIRD PARTY EITHER WHOLLY, OR IN PART WITHOUT CONSENT IN WRITING.
	Material: Head: 316L Stainless Steel Bowl: 316L Stainless Steel Internals: 316L Stainless Steel Standard Gasket / O-ring: Viton	Drain Type: 1/8" NPT Maximum Temperature: 200°C Maximum Pressure: 340 BAR Internal Volume: 30 cc Weight: 400g	
DO NOT SCALE DRAWING IF IN DOUBT ASK	Drawing No. HF4/3969		