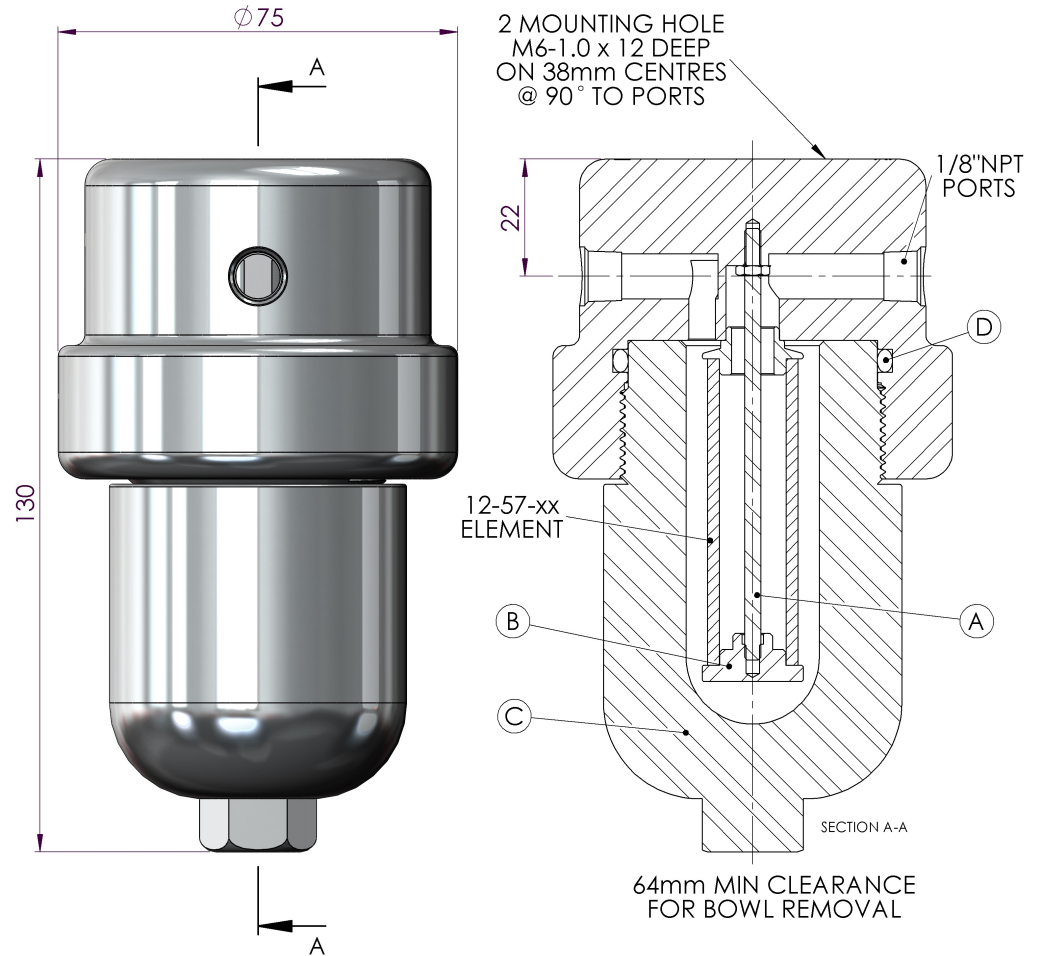


HF HeadlineFilters

Model: 124HP (1/8" NPT)

Replacement Parts List	
12-57-xx	Disposable Filter Element
SS-12-57-xx	Stainless Steel Filter Element
PT-12-57-xx	PTFE Filter Element
TR120HP	Tie Rod (A)
ER110	Element Retainer (B)
SC120	Support Core (Not Pictured)
SSB 124HP	316L Stainless Steel Bowl (C)
MB130	Mounting Bracket (Not Pictured)
Oxygen Cleaning Service Available Note – Please replace "xx" with micron rating or grade	
Available O-Rings	
GN110HP	Nitrile
GV110HP	Viton (Standard) (D)
KZ110HP	Kalrez™
GS110HP	Silicone

Please Note: Exotic Materials are available, for Alloy C-276 (124HPH) and for Alloy 400 (124HPM).



Headline Filters Limited Mill Hall Business Estate Aylesford Kent, ME20 7JZ www.headlinefilters.com info@headlinefilters.com	Model 124HP		THE COPYRIGHT OF THIS DRAWING IS RESERVED BY HEADLINE FILTERS. IT IS ISSUED ON CONDITION THAT IT IS NOT COPIED, REPRODUCED OR DISCLOSED TO A THIRD PARTY EITHER WHOLLY, OR IN PART WITHOUT CONSENT IN WRITING.
	Material: Head: 316L Stainless Steel Bowl: 316L Stainless Steel Internals: 316L Stainless Steel Standard Gasket / O-ring: Viton	Drain Type: 1/4" NPT Maximum Temperature: 200° C Maximum Pressure: 700 BAR Internal Volume: 40 cc Weight: 2.5kg	
DO NOT SCALE DRAWING IF IN DOUBT ASK			