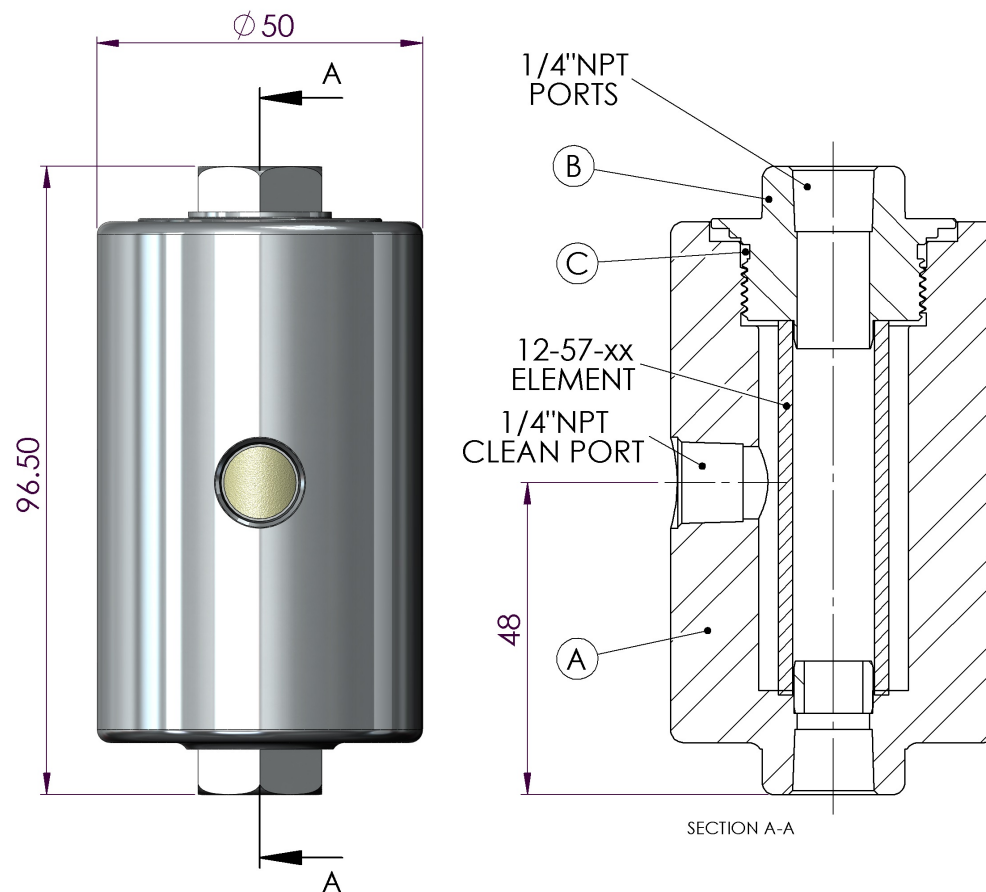


HF Headline Filters

Model: 126IL-3 (1/4" NPT)

| Replacement Parts List | |
|---|--------------------------------|
| 12-57-xx | Disposable Filter Element |
| SS-12-57-xx | Stainless Steel Filter Element |
| PT-12-57-xx | PTFE Filter Element |
| Oxygen Cleaning Service Available Note – Please replace “xx” with micron rating or grade | |
| Available O-Rings | |
| GN116IL-3 | Nitrile |
| GV116IL-3 | Viton (Standard) (C) |
| KZ116IL-3 | Kalrez™ |
| GS116IL-3 | Silicone |



Please Note: Exotic Materials are available, for Alloy C-276 (126IL-3H) and for Alloy 400 (126IL-3M).

| | | | |
|---|--|---|--|
| Headline Filters Limited Mill Hall Business Estate Aylesford Kent, ME20 7JZ www.headlinefilters.com info@headlinefilters.com | Model 126IL-3 | | THE COPYRIGHT OF THIS DRAWING IS RESERVED BY HEADLINE FILTERS. IT IS ISSUED ON CONDITION THAT IT IS NOT COPIED, REPRODUCED OR DISCLOSED TO A THIRD PARTY EITHER WHOLLY, OR IN PART WITHOUT CONSENT IN WRITING. |
| | Material: Head: 316L Stainless Steel Internals: 316L Stainless Steel Standard Gasket / O-ring: Viton | Drain Type: N/A Maximum Temperature: 200°C Maximum Pressure: 340 Bar | |
| DO NOT SCALE DRAWING IF IN DOUBT ASK | Drawing No: HF4/1567 | | |