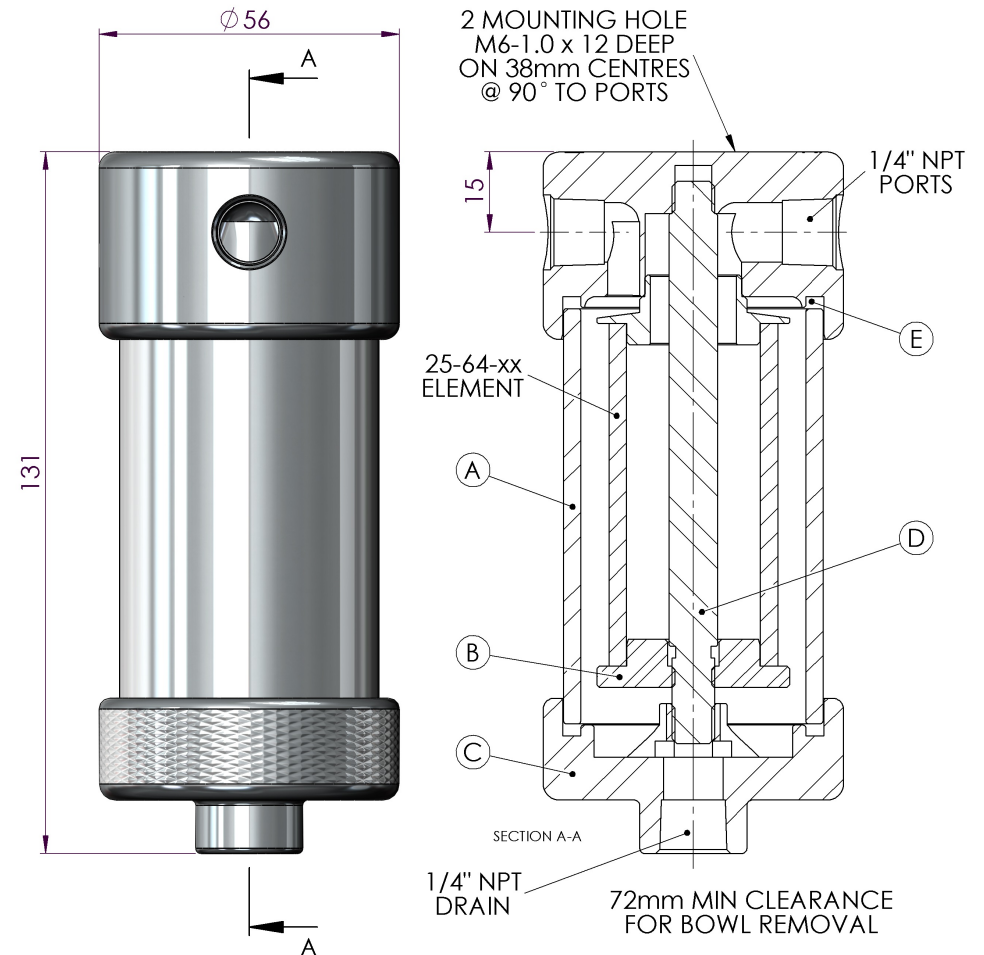


HF Headline Filters

Model: 137 (1/4" NPT)

| Replacement Parts List | |
|---|---|
| 25-64-xx | Disposable Filter Element |
| SS-25-64-xx | Stainless Steel Filter Element |
| PT-25-64-xx | PTFE Filter Element |
| TR137 | Tie Rod (D) |
| ER137 | Element Retainer (B) |
| SC130 | Support Core (Not Pictured) |
| SSB137 | Stainless Steel Bowl (A) |
| BP137 | Bowl Plate (C) |
| DP112 1/4"NPT | Stainless Steel Drain Plug (Not Pictured) |
| MB130 | Mounting Bracket (Not Pictured) |
| Oxygen Cleaning Service Available Note – Please replace "xx" with micron rating or grade | |
| Available O-Rings | |
| GN137 | Nitrile |
| GV137 | Viton (Standard) (E) |
| KZ137 | Kalrez™ |
| GS137 | Silicone |



Please Note: Exotic Materials are available, for Alloy C-276 (137H) and for Alloy 400 (137M).

| | | | |
|---|--|---|--|
| Headline Filters Limited Mill Hall Business Estate Aylesford Kent, ME20 7JZ www.headlinefilters.com info@headlinefilters.com | Model 137 | | THE COPYRIGHT OF THIS DRAWING IS RESERVED BY HEADLINE FILTERS. IT IS ISSUED ON CONDITION THAT IT IS NOT COPIED, REPRODUCED OR DISCLOSED TO A THIRD PARTY EITHER WHOLLY, OR IN PART WITHOUT CONSENT IN WRITING. |
| | Material: Head: 316L Stainless Steel Bowl: 316L Stainless Steel Internals: 316L Stainless Steel Standard Gasket / O-ring: Viton | Drain Type: 1/4" NPT Maximum Temperature: 100° C Maximum Pressure: 7 Bar Internal Volume: 110 cc Weight: 1kg | |
| DO NOT SCALE DRAWING IF IN DOUBT ASK | Drawing No: HF4/2124 | | |