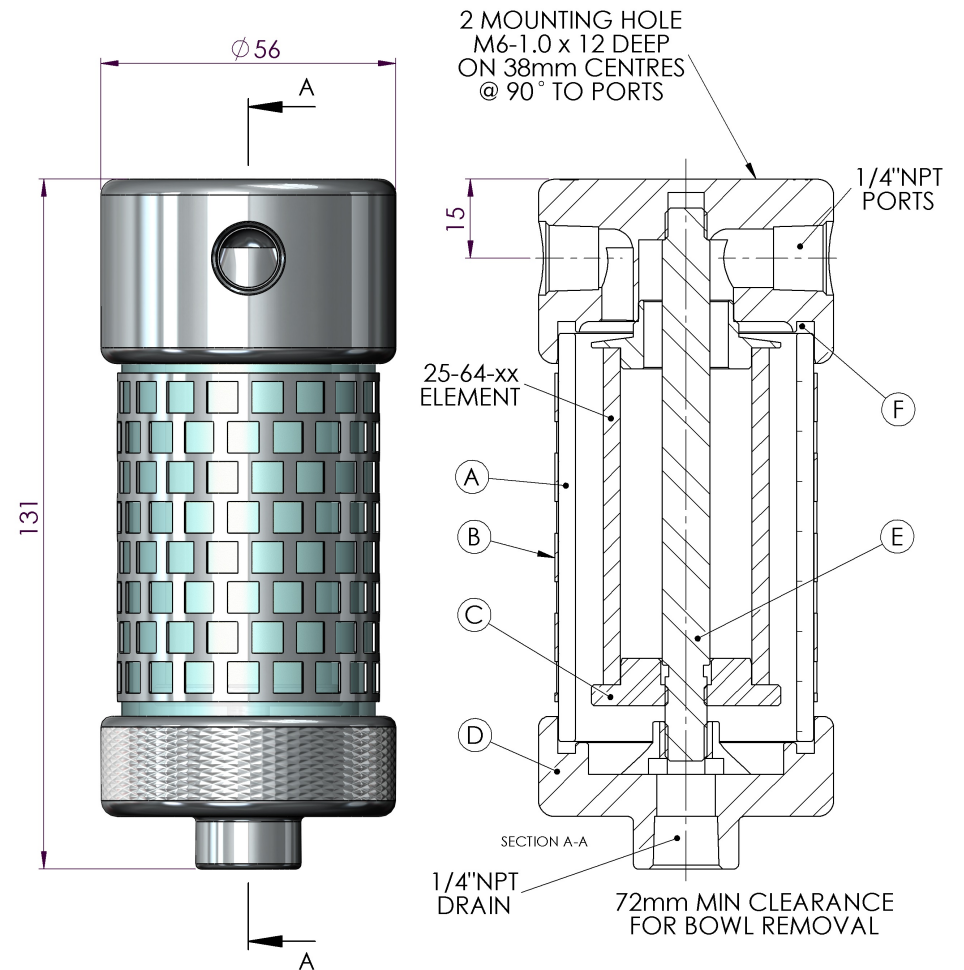


HF Headline Filters

Model: 137G (1/4" NPT)

Replacement Parts List	
25-64-xx	Disposable Filter Element
SS-25-64-xx	Stainless Steel Filter Element
PT-25-64-xx	PTFE Filter Element
TR137	Tie Rod (E)
ER137	Element Retainer (C)
SC130	Support Core (Not Pictured)
GB137	Pyrex Glass Bowl (A)
BG137	Bowl Guard (B)
BP137	Base Plate (D)
MB130	Mounting Bracket (Not Pictured)
Oxygen Cleaning Service Available Note – Please replace "xx" with micron rating or grade	
Available O-Rings	
GN137	Nitrile
GV137	Viton (Standard) (F)
KZ137	Kalrez™
GS137	Silicone



Please Note: Exotic Materials are available, for Alloy C-276 (137GH) and for Alloy 400 (137GM).

Headline Filters Limited Mill Hall Business Estate Aylesford Kent, ME20 7JZ www.headlinefilters.com info@headlinefilters.com	Model 137G		THE COPYRIGHT OF THIS DRAWING IS RESERVED BY HEADLINE FILTERS. IT IS ISSUED ON CONDITION THAT IT IS NOT COPIED, REPRODUCED OR DISCLOSED TO A THIRD PARTY EITHER WHOLLY, OR IN PART WITHOUT CONSENT IN WRITING.
	Material: Head: 316L Stainless Steel Bowl: Pyrex Internals: 316L Stainless Steel Standard Gasket / O-ring: Viton	Drain Type: 1/4" NPT Maximum Temperature: 100° C Maximum Pressure: 7 Bar Internal Volume: 110 cc Weight: 1kg	
DO NOT SCALE DRAWING IF IN DOUBT ASK	Drawing No: HF4/2124		