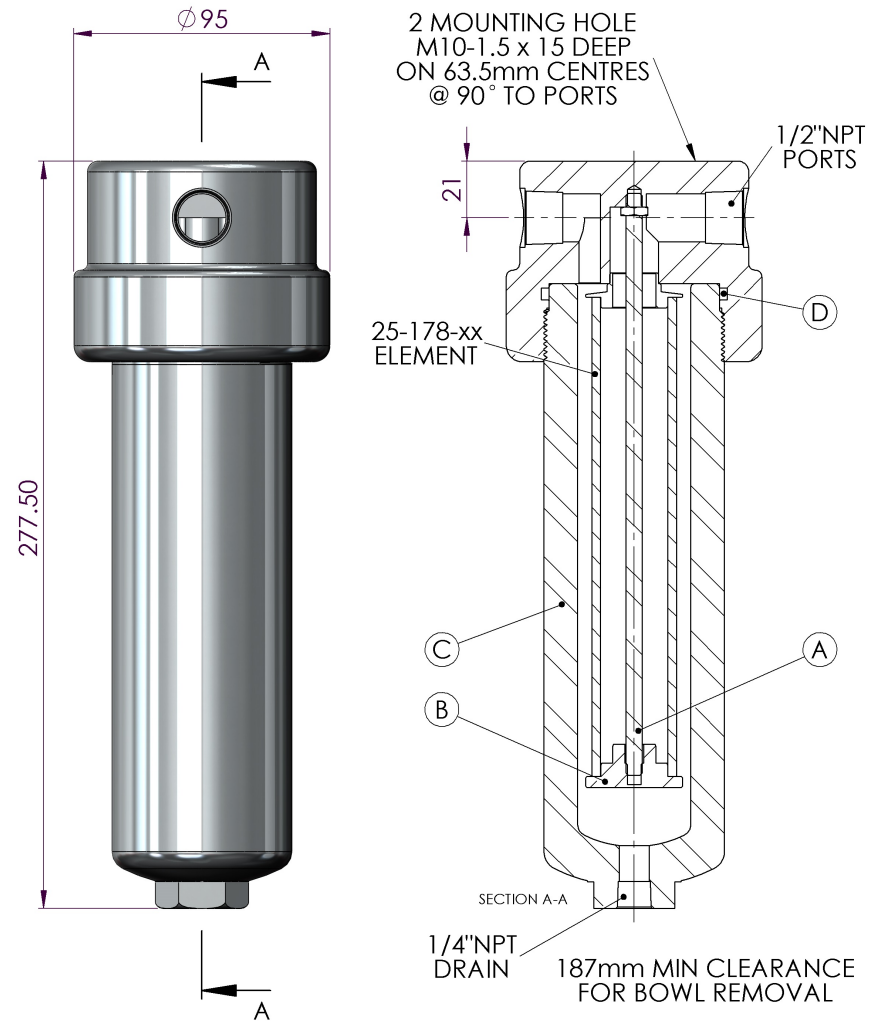


HF HeadlineFilters

Model: 142VP (1/2" NPT)

Replacement Parts List	
25-178-xx	Disposable Filter Element
SS-25-178-xx	Stainless Steel Filter Element
PT-25-178-xx	PTFE Filter Element
TR140	Tie Rod (A)
ER130	Element Retainer (B)
SC140	Support Core (Not Pictured)
SSB 140VP	316L Stainless Steel Bowl (C)
MB130	Mounting Bracket (Not Pictured)
Oxygen Cleaning Service Available Note – Please replace “xx” with micron rating or grade	
Available O-Rings	
GN130VP	Nitrile
GV130VP	Viton (Standard) (D)
KZ130VP	Kalrez™
GS130VP	Silicone

For a Solid PTFE Gasket – Order a 142VPS



Please Note: Exotic Materials are available, for Alloy C-276 (142VPH) and for Alloy 400 (142VPM).

Headline Filters Limited Mill Hall Business Estate Aylesford Kent, ME20 7JZ www.headlinefilters.com info@headlinefilters.com	<h2>Model 142VP</h2>		THE COPYRIGHT OF THIS DRAWING IS RESERVED BY HEADLINE FILTERS. IT IS ISSUED ON CONDITION THAT IT IS NOT COPIED, REPRODUCED OR DISCLOSED TO A THIRD PARTY EITHER WHOLLY, OR IN PART WITHOUT CONSENT IN WRITING.
	Material: Head: 316L Stainless Steel Bowl: 316L Stainless Steel Internals: 316L Stainless Steel Standard Gasket / O-ring: Viton	Drain Type: 1/4" NPT Maximum Temperature: 200° C Maximum Pressure: 400 Bar Internal Volume: Weight: Drawing No. HF4/0551	
DO NOT SCALE DRAWING IF IN DOUBT ASK			