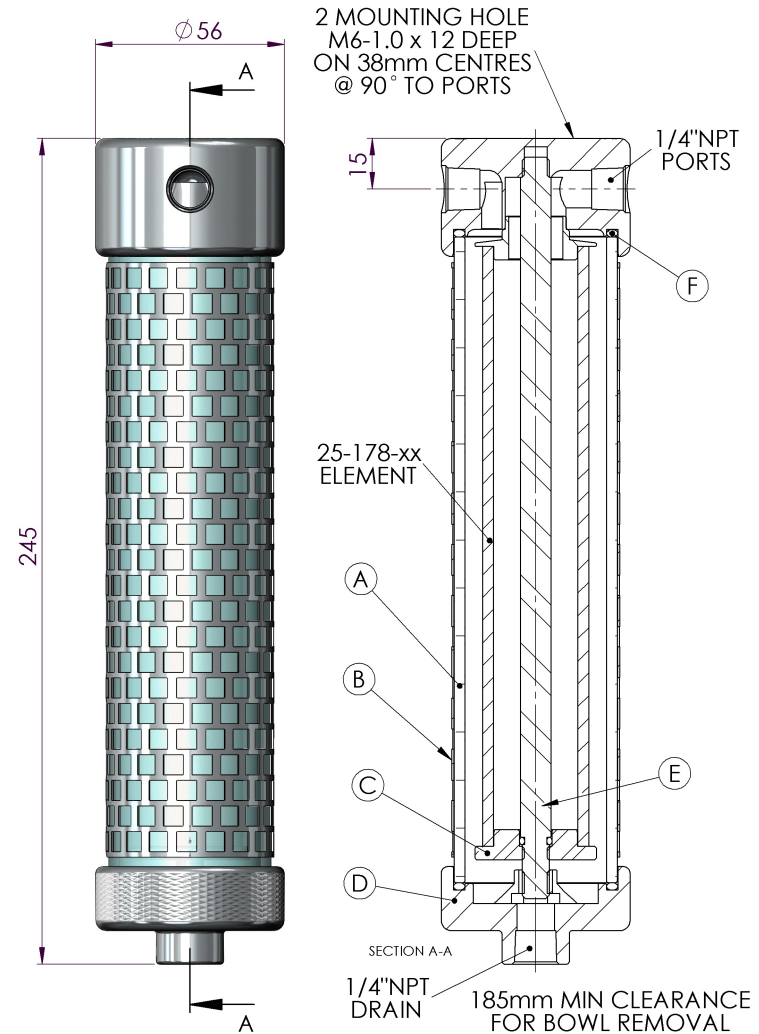


# HF Headline Filters

**Model: 147G (1/4" NPT)**

Replacement Parts List	
25-178-xx	Disposable Filter Element
SS-25-178-xx	Stainless Steel Filter Element
PT-25-178-xx	PTFE Filter Element
TR147	Stainless Steel Tie Rod (E)
ER137	Stainless Steel Element Retainer (C)
SC140	Stainless Steel Support Core (Not Pictured)
GB147	Pyrex Glass Bowl (A)
BG147	Stainless Steel Bowl Guard (B)
BP137	Stainless Steel Base Plate (D)
MB130	Stainless Steel Mounting Bracket (Not Pictured)
Oxygen Cleaning Service Available Note – Please replace “xx” with micron rating or grade	
Available O-Rings	
GN137	Nitrile
GV137	Viton (Standard) (F)
KZ137	Kalrez™
GS137	Silicone



Please Note: Exotic Materials are available, for Alloy C-276 (147GH) and for Alloy 400 (147GM).

Headline Filters Limited Mill Hall Business Estate Aylesford Kent, ME20 7JZ www.headlinefilters.com <b>info@headlinefilters.com</b>	<b>Model 147G</b>		THE COPYRIGHT OF THIS DRAWING IS RESERVED BY HEADLINE FILTERS. IT IS ISSUED ON CONDITION THAT IT IS NOT COPIED, REPRODUCED OR DISCLOSED TO A THIRD PARTY EITHER WHOLLY, OR IN PART WITHOUT CONSENT IN WRITING.
	<b>Material:</b> Head: 316L Stainless Steel Bowl: Pyrex Internals: 316L Stainless Steel Standard Gasket / O-ring: Viton	<b>Drain Type:</b> 1/4" NPT <b>Maximum Temperature:</b> 100°C <b>Maximum Pressure:</b> 7 Bar <b>Internal Volume:</b> 250 cc <b>Weight:</b> 1.2kg	
<b>DO NOT SCALE DRAWING                  IF IN DOUBT ASK</b>	<b>Drawing No:</b> HF4/2422		