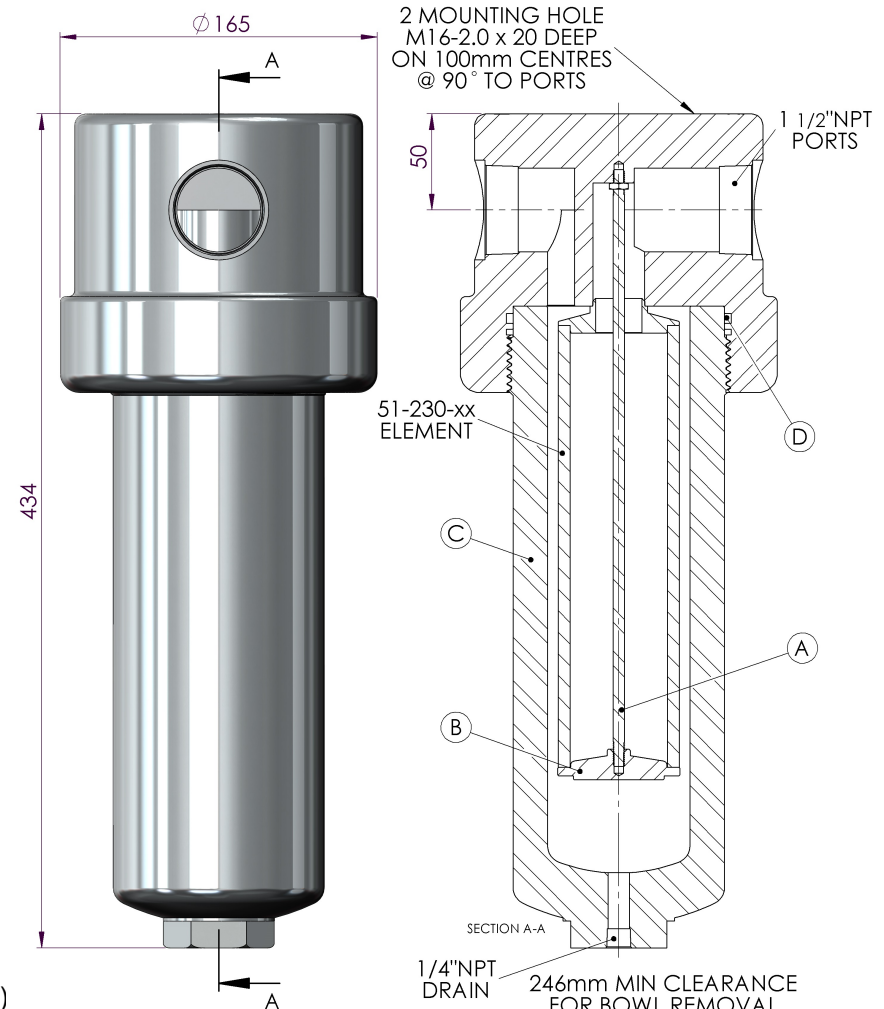


HF Headline Filters

Model: 151VP (1.1/2" NPT)

| Replacement Parts List | |
|---|---------------------------------|
| 51-230-xx | Disposable Filter Element |
| SS-51-230-xx | Stainless Steel Filter Element |
| PT-51-230-xx | PTFE Filter Element |
| TR150 | Tie Rod (A) |
| ER150 | Element Retainer (B) |
| SC150 | Support Core (Not Pictured) |
| SSB 150VP | 316L Stainless Steel Bowl (C) |
| MB150VP | Mounting Bracket (Not Pictured) |
| Oxygen Cleaning Service Available Note – Please replace “xx” with micron rating or grade | |
| Available O-Rings | |
| GN150VP | Nitrile |
| GV150VP | Viton (Standard) (D) |
| KZ150VP | Kalrez™ |
| GS150VP | Silicone |



Please Note: Exotic Materials are available, for Alloy C-276 (151VPH)

| | | | |
|--|--|---|--|
| Headline Filters Limited Mill Hall Business Estate Aylesford Kent, ME20 7JZ www.headlinefilters.com info@headlinefilters.com | Model 151VP | | THE COPYRIGHT OF THIS DRAWING IS RESERVED BY HEADLINE FILTERS. IT IS ISSUED ON CONDITION THAT IT IS NOT COPIED, REPRODUCED OR DISCLOSED TO A THIRD PARTY EITHER WHOLLY, OR IN PART WITHOUT CONSENT IN WRITING. |
| | Material: Head: 316L Stainless Steel Bowl: 316L Stainless Steel Internals: 316L Stainless Steel Standard Gasket / O-ring: Viton | Drain Type: 1/4" NPT Maximum Temperature: 200°C Maximum Pressure: 400 Bar Internal Volume: 1500 cc Weight: 22 kg | |
| DO NOT SCALE DRAWING IF IN DOUBT ASK | | | |