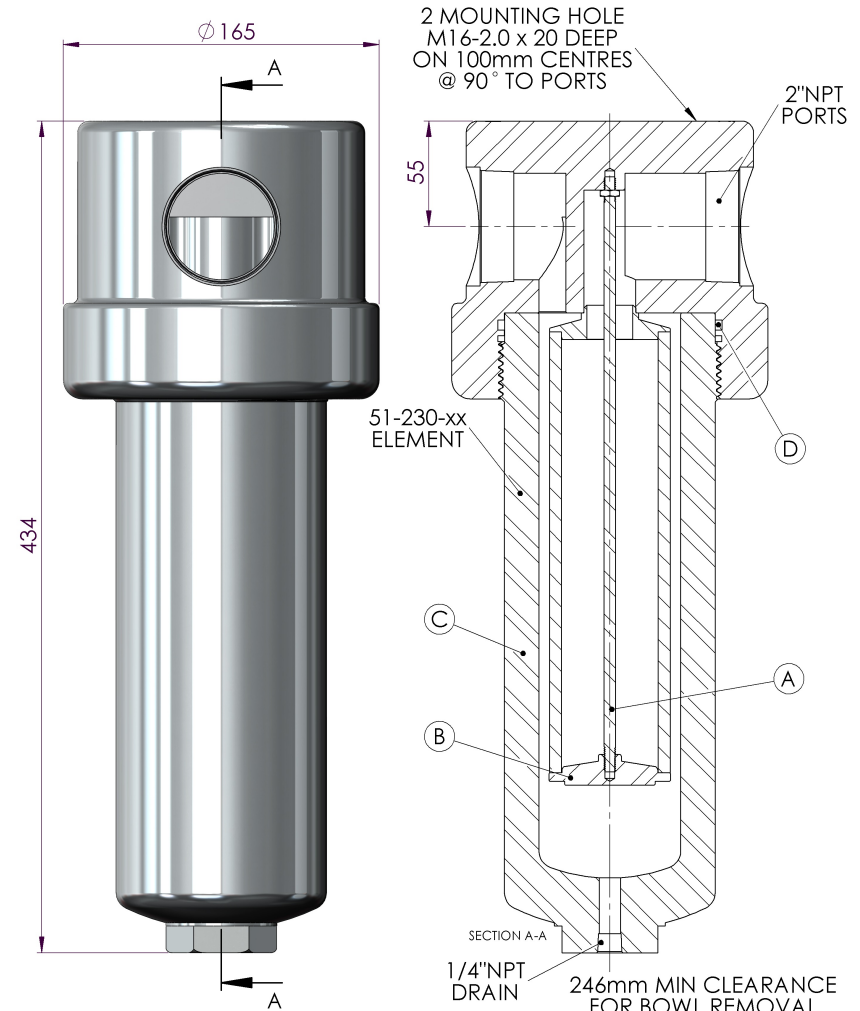


# HF Headline Filters

## Model: 152VP (2" NPT)

Replacement Parts List	
51-230-xx	Disposable Filter Element
SS-51-230-xx	Stainless Steel Filter Element
PT-51-230-xx	PTFE Filter Element
TR150	Tie Rod (A)
ER150	Element Retainer (B)
SC150	Support Core (Not Pictured)
SSB 150VP	316L Stainless Steel Bowl (C)
MB150VP	Mounting Bracket (Not Pictured)
Oxygen Cleaning Service Available Note – Please replace "xx" with micron rating or grade	
Available O-Rings	
GN150VP	Nitrile
GV150VP	Viton (Standard) (D)
KZ150VP	Kalrez™
GS150VP	Silicone

Please Note: Exotic Materials are available, for Alloy C-276 (152VPH) and for Alloy 400 (152VPM).



Headline Filters Limited Mill Hall Business Estate Aylesford Kent, ME20 7JZ www.headlinefilters.com info@headlinefilters.com		Model 152VP		THE COPYRIGHT OF THIS DRAWING IS RESERVED BY HEADLINE FILTERS. IT IS ISSUED ON CONDITION THAT IT IS NOT COPIED, REPRODUCED OR DISCLOSED TO A THIRD PARTY EITHER WHOLLY, OR IN PART WITHOUT CONSENT IN WRITING.
<b>DO NOT SCALE DRAWING IF IN DOUBT ASK</b>		<b>Material:</b> Head: 316L Stainless Steel Bowl: 316L Stainless Steel Internals: 316L Stainless Steel Standard Gasket / O-ring: Viton	<b>Drain Type:</b> 1/4" NPT <b>Maximum Temperature:</b> 200°C <b>Maximum Pressure:</b> 400 Bar <b>Internal Volume:</b> 1500 cc <b>Weight:</b> 22 kg	
		<b>Drawing No. HF4/3162</b>		