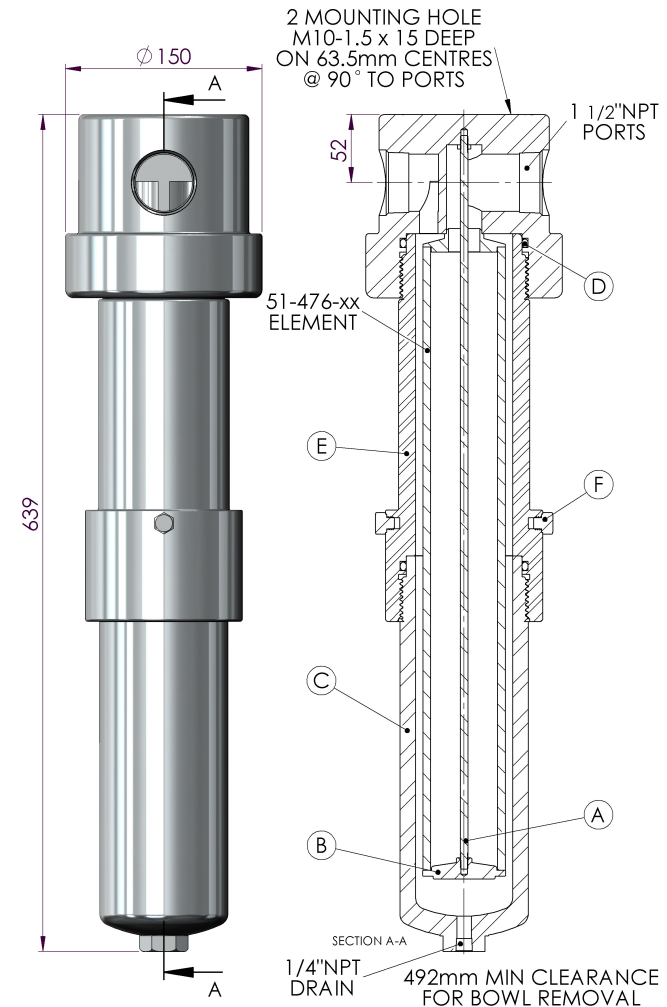


HF HeadlineFilters

Model: 161HP (1.1/2" NPT)

Replacement Parts List	
51-230-xx	Disposable Filter Element
SS-51-230-xx	Stainless Steel Filter Element
PT-51-230-xx	PTFE Filter Element
TR160	Tie Rod (A)
ER150	Element Retainer (B)
SC160	Support Core (Not Pictured)
SSB 160HP	316L Stainless Steel Bowl (C & E)
MB150	Mounting Bracket (Not Pictured)
Oxygen Cleaning Service Available Note – Please replace "xx" with micron rating or grade	
Available O-Rings	
GN160HP	Nitrile
GV160HP	Viton (Standard) (D)
KZ160HP	Kalrez™
GS160HP	Silicone

Please Note: Exotic Materials are available, for Alloy C-276 (161HPH) and for Alloy 400 (161HPM).



Headline Filters Limited Mill Hall Business Estate Aylesford Kent, ME20 7JZ www.headlinefilters.com info@headlinefilters.com	Model 161HP		THE COPYRIGHT OF THIS DRAWING IS RESERVED BY HEADLINE FILTERS. IT IS ISSUED ON CONDITION THAT IT IS NOT COPIED, REPRODUCED OR DISCLOSED TO A THIRD PARTY EITHER WHOLLY, OR IN PART WITHOUT CONSENT IN WRITING.
	Material: Head: 316L Stainless Steel Bowl: 316L Stainless Steel Internals: 316L Stainless Steel Standard Gasket / O-ring: Viton	Drain Type: 1/4" NPT Maximum Temperature: 200°C Maximum Pressure: 200 Bar Internal Volume: 2700 cc Weight: 24 kg	
DO NOT SCALE DRAWING IF IN DOUBT ASK	Drawing No. HF4/3951		