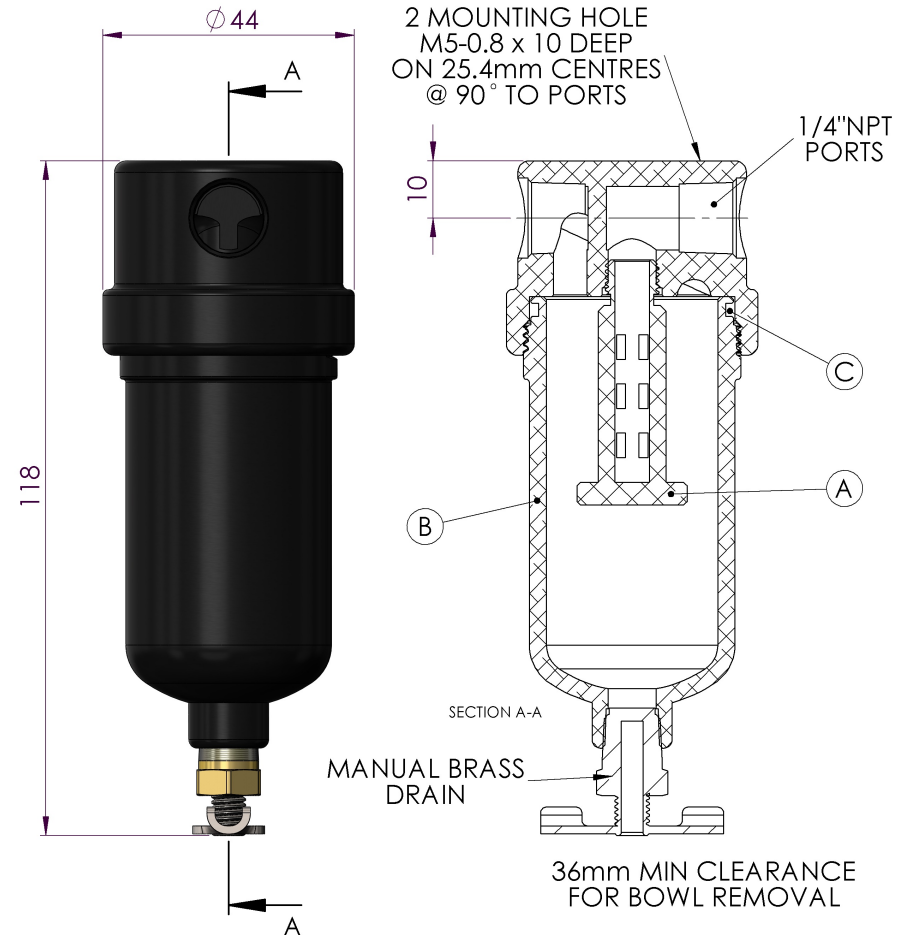


# HF Headline Filters

**Model: 213A (1/4"NPT)**

Replacement Parts List	
12-32-xx	Disposable Filter Element
SS-12-32-xx	Stainless Steel Filter Element
PT-12-32-xx	PTFE Filter Element
ER205	Nylon Element Support (B)
AB315	Aluminum Bowl with Drain (C)
MB110	Mounting Bracket (Not Pictured)
Oxygen Cleaning Service Available Note – Please replace “xx” with micron rating or grade	
Available O-Rings	
GN205	Nitrile (Standard) (D)
GV205	Viton
KZ205	Kalrez™
GS205	Silicone



Headline Filters Limited Mill Hall Business Estate Aylesford Kent, ME20 7JZ www.headlinefilters.com info@headlinefilters.com	<b>Model 213A</b>		THE COPYRIGHT OF THIS DRAWING IS RESERVED BY HEADLINE FILTERS. IT IS ISSUED ON CONDITION THAT IT IS NOT COPIED, REPRODUCED OR DISCLOSED TO A THIRD PARTY EITHER WHOLLY, OR IN PART WITHOUT CONSENT IN WRITING.
	<b>Material:</b> Head: Anodized 6082-T6 Aluminum Bowl: Anodized 6082-T6 Aluminum Internals: Nylon Standard Gasket / O-ring: Nitrile	<b>Drain Type:</b> 1/8"NPT <b>Maximum Temperature:</b> 120°C <b>Maximum Pressure:</b> 16 BAR <b>Internal Volume:</b> <b>Weight:</b>	
<b>DO NOT SCALE DRAWING                  IF IN DOUBT ASK</b>	<b>Drawing No. HF4/</b>		