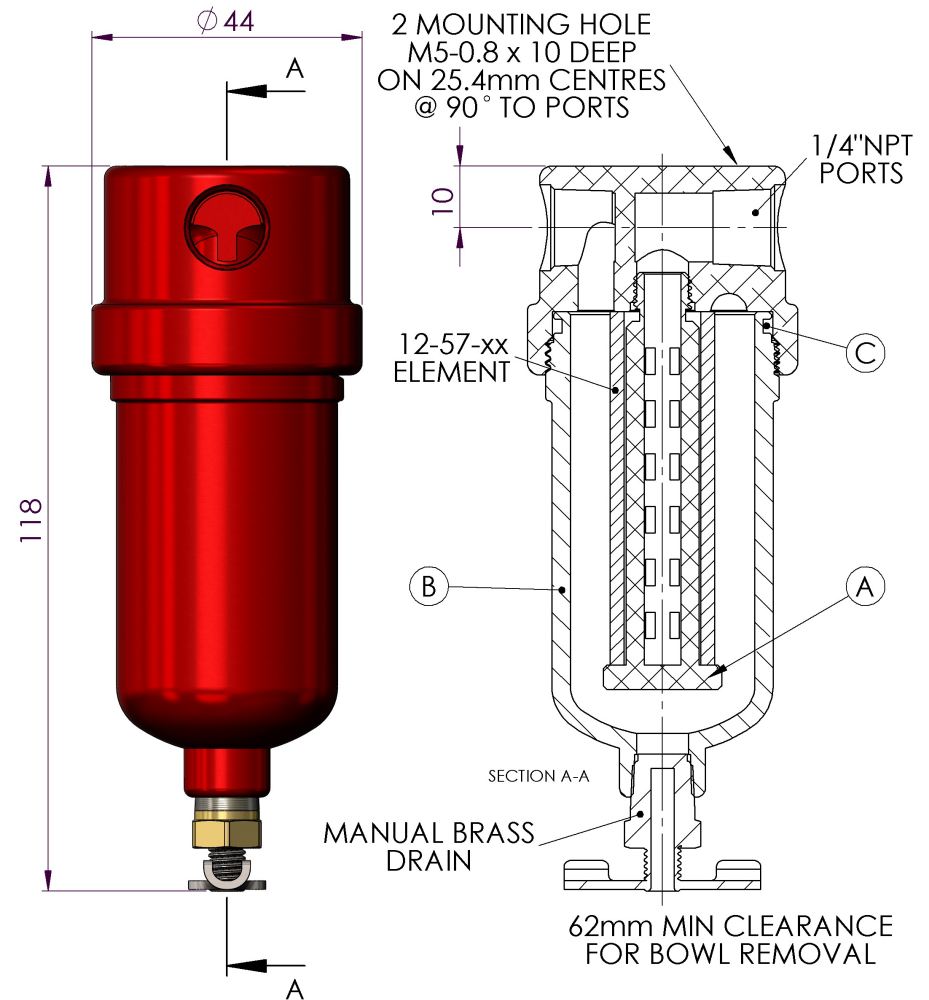


HF HeadlineFilters

Model: 213AL (1/4"NPT)

Replacement Parts List	
12-57-xx	Disposable Filter Element
SS-12-57-xx	Stainless Steel Filter Element
PT-12-57-xx	PTFE Filter Element
ER315AL	Aluminum Element Support (B)
AB315	Aluminum Bowl with Drain (C)
MB110	Mounting Bracket (Not Pictured)
Oxygen Cleaning Service Available Note – Please replace “xx” with micron rating or grade	
Available O-Rings	
GN205	Nitrile (Standard) (D)
GV205	Viton
KZ205	Kalrez™
GS205	Silicone



Headline Filters Limited Mill Hall Business Estate Aylesford Kent, ME20 7JZ www.headlinefilters.com info@headlinefilters.com	Model 213AL		THE COPYRIGHT OF THIS DRAWING IS RESERVED BY HEADLINE FILTERS. IT IS ISSUED ON CONDITION THAT IT IS NOT COPIED, REPRODUCED OR DISCLOSED TO A THIRD PARTY EITHER WHOLLY, OR IN PART WITHOUT CONSENT IN WRITING.
	Material: Head: Anodized 6082-T6 Aluminum Bowl: Anodized 6082-T6 Aluminum Internals: Anodized 6082-T6 Aluminum Standard Gasket / O-ring: Nitrile	Drain Type: 1/8"BSPP Maximum Temperature: 120°C Maximum Pressure: 16 BAR Internal Volume: Weight:	
DO NOT SCALE DRAWING IF IN DOUBT ASK			