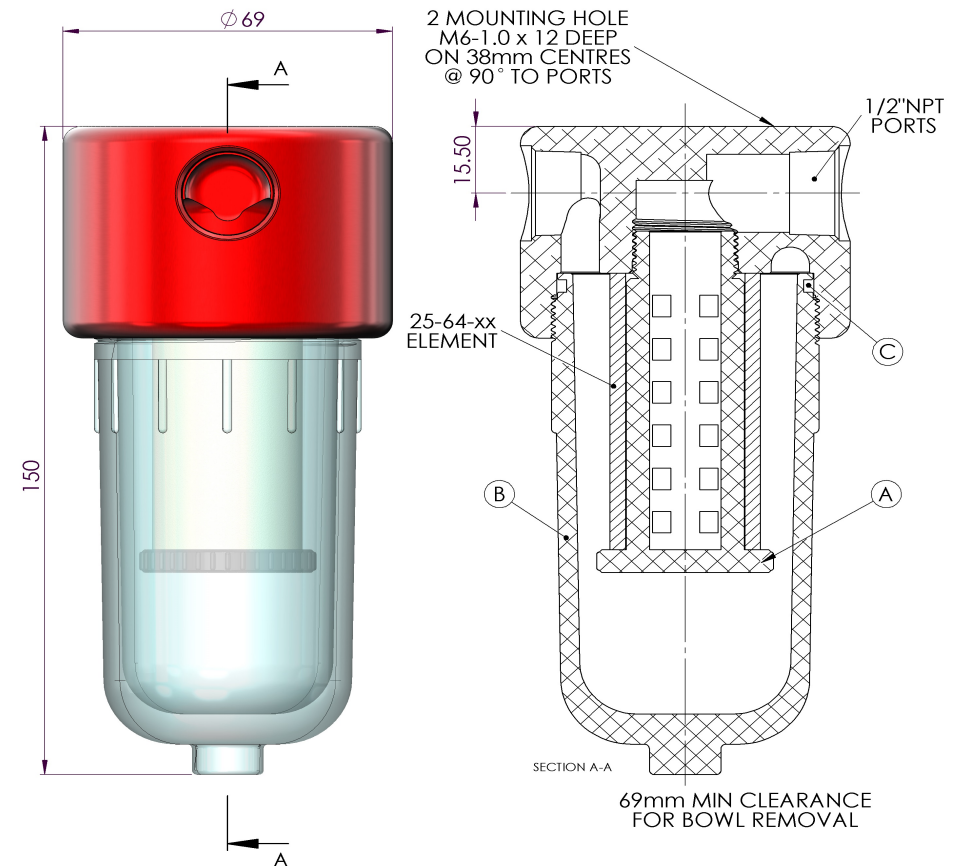


# HF HeadlineFilters

## Model: 225 (1/2"NPT)

Replacement Parts List	
25-64-xx	Disposable Filter Element
SS-25-64-xx	Stainless Steel Filter Element
PT-25-64-xx	PTFE Filter Element
TR360	Nylon Element Support (B)
PB225	Polycarbonate Bowl (C)
MB360	Mounting Bracket (Not Pictured)
Note – Please replace “xx” with micron rating or grade	
Available O-Rings	
GN360	Nitrile (Standard) (D)
GV360	Viton
KZ360	Kalrez™
GS360	Silicone



Headline Filters Limited Mill Hall Business Estate Aylesford Kent, ME20 7JZ <a href="http://www.headlinefilters.com">www.headlinefilters.com</a> <a href="mailto:info@headlinefilters.com">info@headlinefilters.com</a>	<b>Model 225</b>		THE COPYRIGHT OF THIS DRAWING IS RESERVED BY HEADLINE FILTERS. IT IS ISSUED ON CONDITION THAT IT IS NOT COPIED, REPRODUCED OR DISCLOSED TO A THIRD PARTY EITHER WHOLLY, OR IN PART WITHOUT CONSENT IN WRITING.
	<b>Material:</b> Head: Anodized 6082-T6 Aluminum Bowl: Polycarbonate Internals: Nylon Standard Gasket / O-ring: Nitrile	<b>Drain Type:</b> N/A <b>Maximum Temperature:</b> 50°C <b>Maximum Pressure:</b> 10 BAR <b>Internal Volume:</b> <b>Weight:</b>	
<b>DO NOT SCALE DRAWING          IF IN DOUBT ASK</b>			