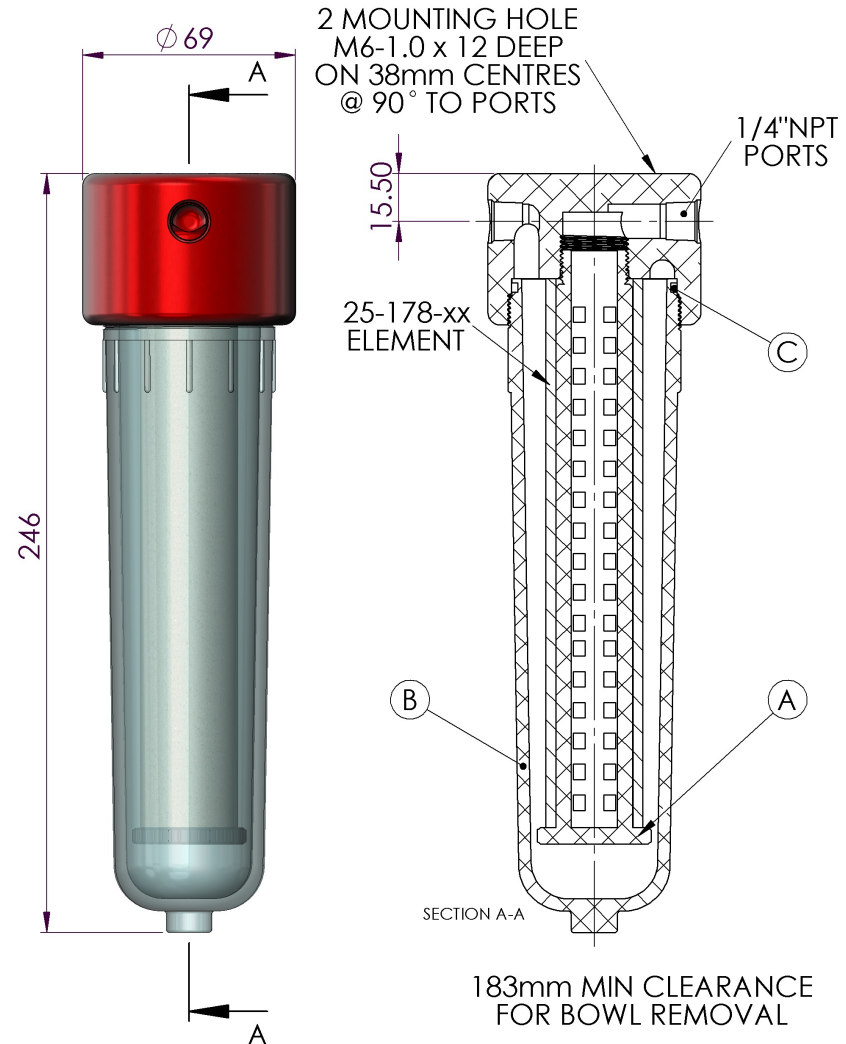


HF Headline Filters

Model: 243 (1/4"NPT)

Replacement Parts List	
25-178-xx	Disposable Filter Element
SS-25-178-xx	Stainless Steel Filter Element
PT-25-178-xx	PTFE Filter Element
TR370	Nylon Element Support (B)
PB370	Polycarbonate Bowl (C)
MB360	Mounting Bracket (Not Pictured)
Note – Please replace “xx” with micron rating or grade	
Available O-Rings	
GN360	Nitrile (Standard) (D)
GV360	Viton
KZ360	Kalrez™
GS360	Silicone



183mm MIN CLEARANCE FOR BOWL REMOVAL

Headline Filters Limited Mill Hall Business Estate Aylesford Kent, ME20 7JZ www.headlinefilters.com info@headlinefilters.com	Model 243		THE COPYRIGHT OF THIS DRAWING IS RESERVED BY HEADLINE FILTERS. IT IS ISSUED ON CONDITION THAT IT IS NOT COPIED, REPRODUCED OR DISCLOSED TO A THIRD PARTY EITHER WHOLLY, OR IN PART WITHOUT CONSENT IN WRITING.
	Material: Head: Anodized 6082-T6 Aluminum Bowl: Polycarbonate Internals: Nylon Standard Gasket / O-ring: Nitrile	Drain Type: N/A Maximum Temperature: 50°C Maximum Pressure: 10 BAR Internal Volume: Weight:	
DO NOT SCALE DRAWING IF IN DOUBT ASK	Drawing No. HF4/1316		