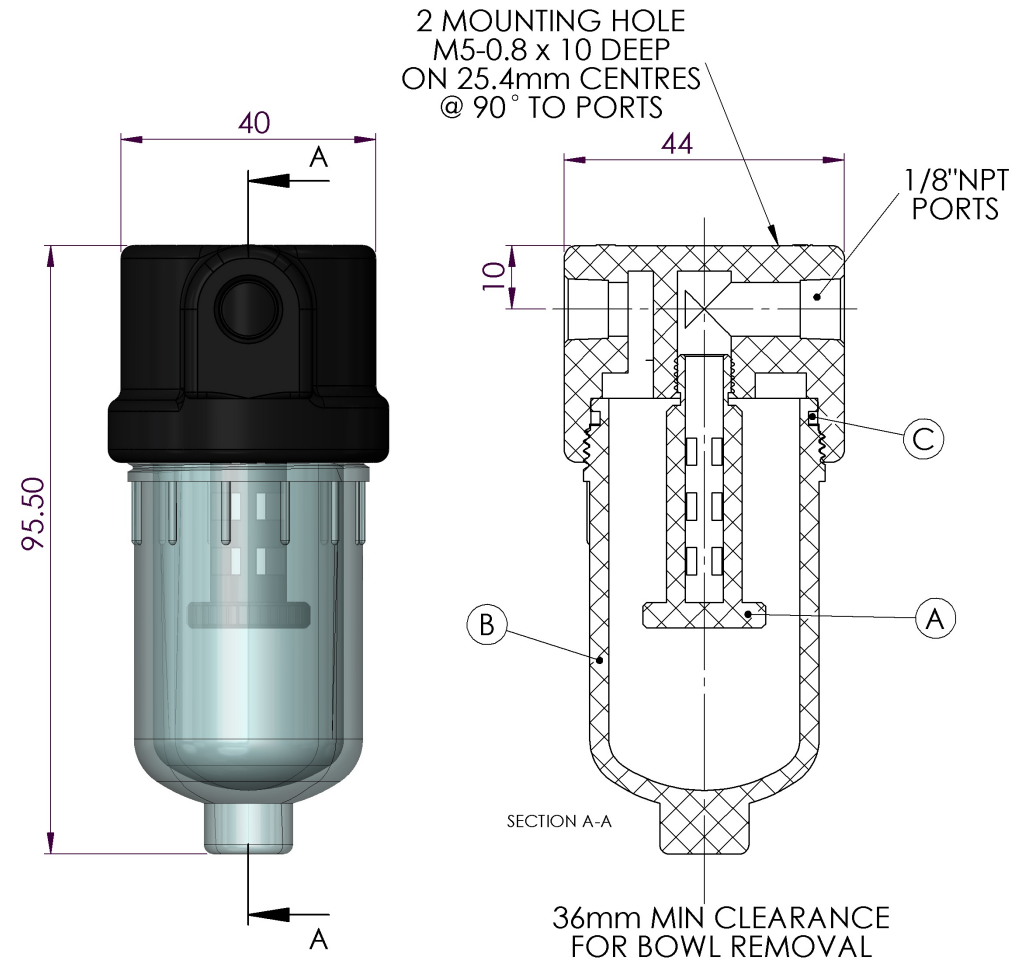


HF HeadlineFilters

Model: 700N (1/8"NPT)

Replacement Parts List	
12-32-xx	Disposable Filter Element
SS-12-32-xx	Stainless Steel Filter Element
PT-12-32-xx	PTFE Filter Element
ER205N	Nylon Element Support (A)
NB205	Nylon Bowl (B)
MB110	Mounting Bracket (Not Pictured)
Note – Please replace “xx” with micron rating or grade	
Available O-Rings	
GN205	Nitrile
GV205	Viton (Standard) (C)
KZ205	Kalrez™
GS205	Silicone



Headline Filters Limited Mill Hall Business Estate Aylesford Kent, ME20 7JZ www.headlinefilters.com info@headlinefilters.com	Model 700N		THE COPYRIGHT OF THIS DRAWING IS RESERVED BY HEADLINE FILTERS. IT IS ISSUED ON CONDITION THAT IT IS NOT COPIED, REPRODUCED OR DISCLOSED TO A THIRD PARTY EITHER WHOLLY, OR IN PART WITHOUT CONSENT IN WRITING.
	Material: Head: Nylon Bowl: Nylon Internals: Nylon Standard Gasket / O-ring: Viton	Drain Type: N/A Maximum Temperature: 50°C Maximum Pressure: 7 BAR Internal Volume: Weight:	
DO NOT SCALE DRAWING IF IN DOUBT ASK	Drawing No. HF4/		