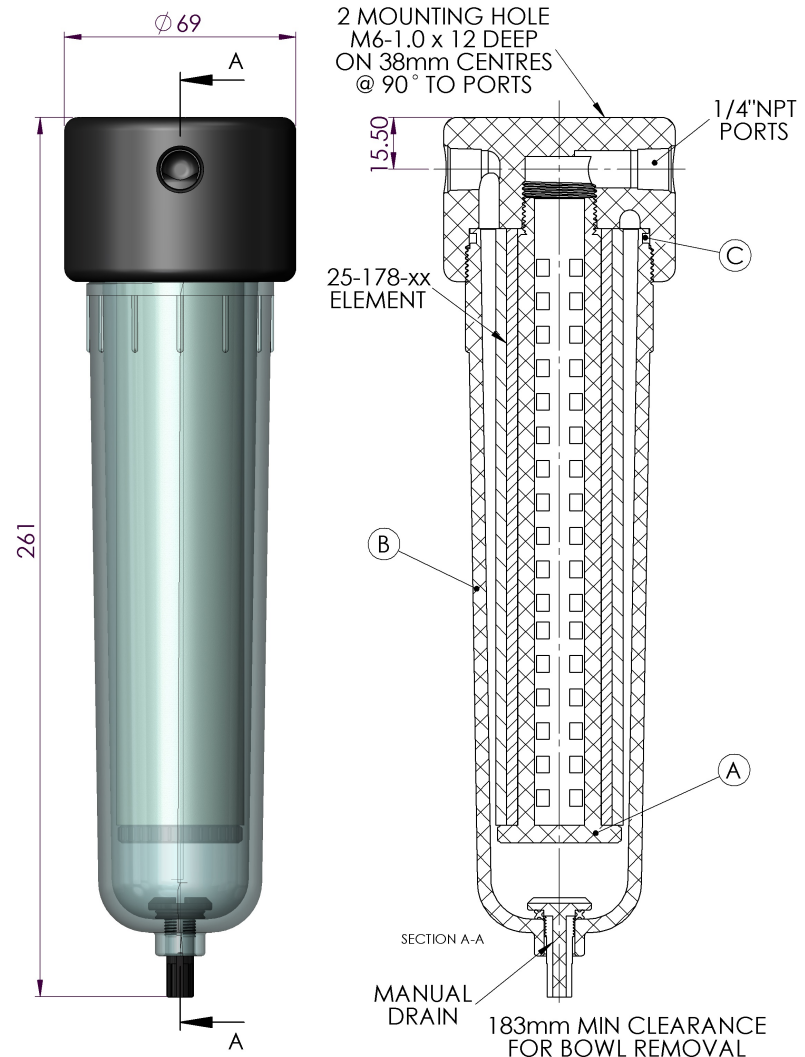


HF HeadlineFilters

Model: 771N (1/4"NPT)

Replacement Parts List	
25-178-xx	Disposable Filter Element
SS-25-178-xx	Stainless Steel Filter Element
PT-25-178-xx	PTFE Filter Element
ER370	Nylon Element Support (A)
NB755	Nylon Bowl (B)
MB360	Mounting Bracket (Not Pictured)
Note – Please replace “xx” with micron rating or grade	
Available O-Rings	
GN750	Nitrile
GV750	Viton (Standard) (C)
KZ750	Kalrez™
GS750	Silicone



Headline Filters Limited Mill Hall Business Estate Aylesford Kent, ME20 7JZ www.headlinefilters.com info@headlinefilters.com	Model 771N		THE COPYRIGHT OF THIS DRAWING IS RESERVED BY HEADLINE FILTERS. IT IS ISSUED ON CONDITION THAT IT IS NOT COPIED, REPRODUCED OR DISCLOSED TO A THIRD PARTY EITHER WHOLLY, OR IN PART WITHOUT CONSENT IN WRITING.
	Material: Head: Nylon Bowl: Nylon Internals: Nylon Standard Gasket / O-ring: Viton	Drain Type: 1/8"BSPP Maximum Temperature: 50° C Maximum Pressure: 7 BAR Internal Volume: Weight: Drawing No. HF4/4018	
DO NOT SCALE DRAWING IF IN DOUBT ASK			