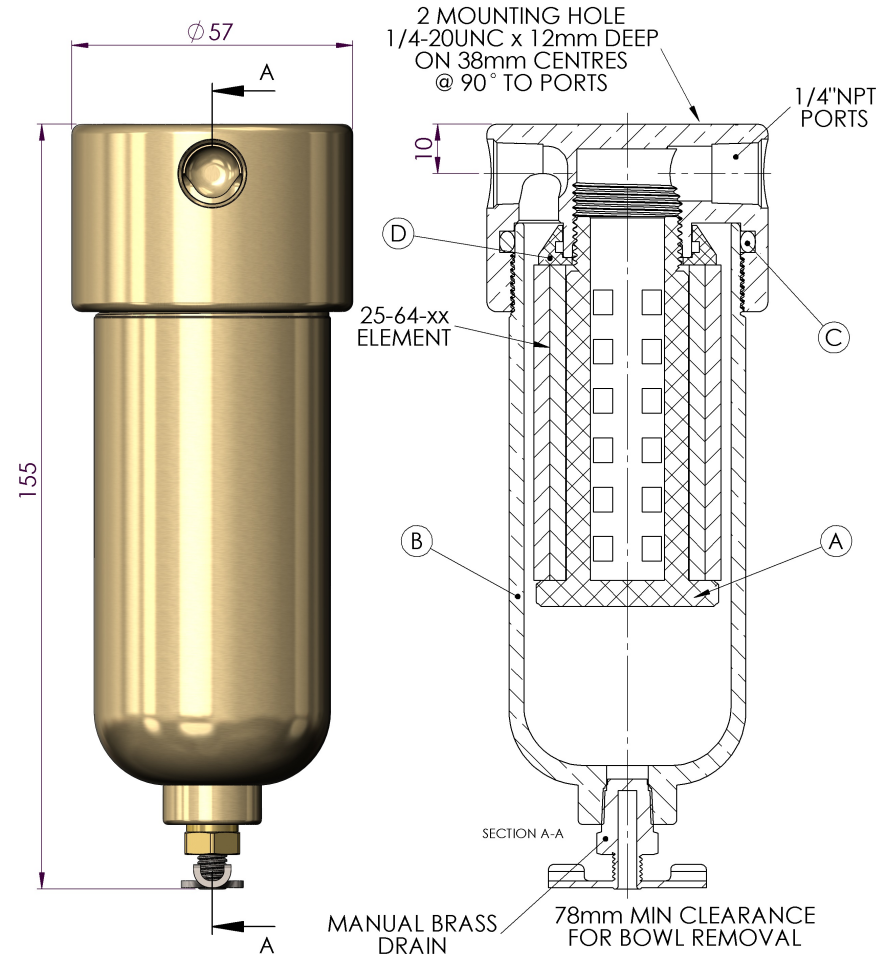


HF **HeadlineFilters**

Model: B360 (1/4" NPT)

Replacement Parts List	
25-64-xx	Disposable Filter Element
SS-25-64-xx	Stainless Steel Filter Element
PT-25-64-xx	PTFE Filter Element
ER360	Nylon Element Support (A)
BB360	CZ121 Brass Bowl (B)
MB130	Mounting Bracket (Not Pictured)
Oxygen Cleaning Service Available Note – Please replace "xx" with micron rating or grade	
Available O-Rings	
GNB360	Nitrile
GVB360	Viton (Standard) (C)
KZB360	Kalrez™
GSB360	Silicone



Headline Filters Limited Mill Hall Business Estate Aylesford Kent, ME20 7JZ www.headlinefilters.com info@headlinefilters.com	Model B360		THE COPYRIGHT OF THIS DRAWING IS RESERVED BY HEADLINE FILTERS. IT IS ISSUED ON CONDITION THAT IT IS NOT COPIED, REPRODUCED OR DISCLOSED TO A THIRD PARTY EITHER WHOLLY, OR IN PART WITHOUT CONSENT IN WRITING.
	Material: Head: CZ121 Brass Bowl: CZ121 Brass Internals: Black Nylon Standard Gasket / O-ring: Viton	Drain Type: 1/8" NPT Maximum Temperature: 80°C Maximum Pressure: 16 Bar Internal Volume: Weight:	
DO NOT SCALE DRAWING IF IN DOUBT ASK			