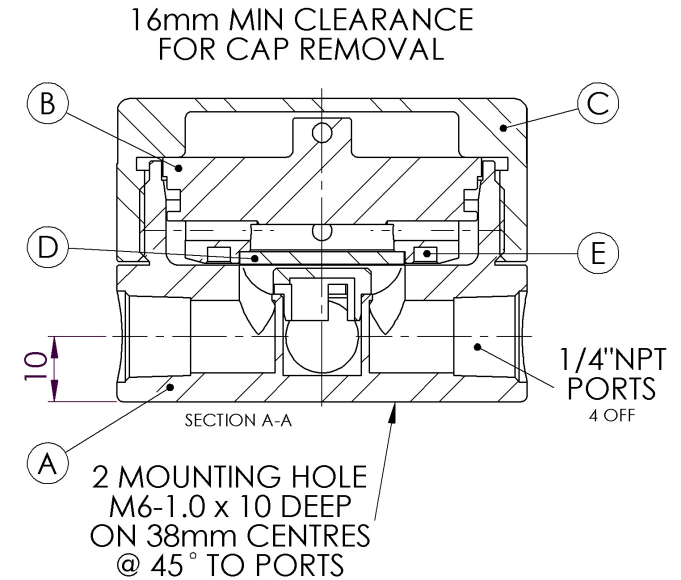
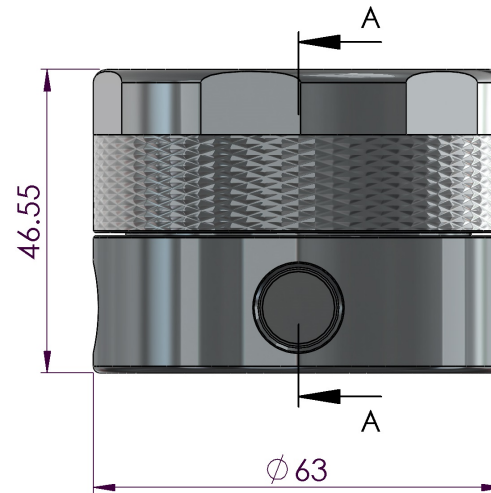


# HF HeadlineFilters

**Model: GMS105 1/4"NPT**

### Replacement Parts List

GMS105 Cap	316L Stainless Steel Head Ring (C)
GMS105 Head Plug	316L Stainless Steel Head (B)
GMS105 Sintered Disc	Stainless Steel Sintered Disc (D)
GMS105 Bracket	Stainless Steel Bracket (Not Shown)
GMS105 Body	316L Stainless Steel Body (A)
<b>Membrane Kit c/w Viton o-ring (E)</b>	
MT.33.M2	Hi-Flow Membrane Kit 0.8 Micron
MT.33.M1	Low-Flow Membrane Kit 0.1 Micron
MT.33.M4H	Oleophobic Membrane Kit



Headline Filters Limited Mill Hall Business Estate Aylesford Kent, ME20 7JZ www.headlinefilters.com info@headlinefilters.com	<b>Model GMS105</b>		THE COPYRIGHT OF THIS DRAWING IS RESERVED BY HEADLINE FILTERS. IT IS ISSUED ON CONDITION THAT IT IS NOT COPIED, REPRODUCED OR DISCLOSED TO A THIRD PARTY EITHER WHOLLY, OR IN PART WITHOUT CONSENT IN WRITING.
	<b>Material:</b> Head: 316L Stainless Steel Bowl: 316L Stainless Steel Internals: 316L Stainless Steel Standard Gasket / O-ring: Viton	<b>Drain Type:</b> N/A <b>Maximum Temperature:</b> 150°C <b>Maximum Pressure:</b> 100 Bar <b>Internal Volume:</b> <b>Weight:</b>	
<b>DO NOT SCALE DRAWING                  IF IN DOUBT ASK</b>			