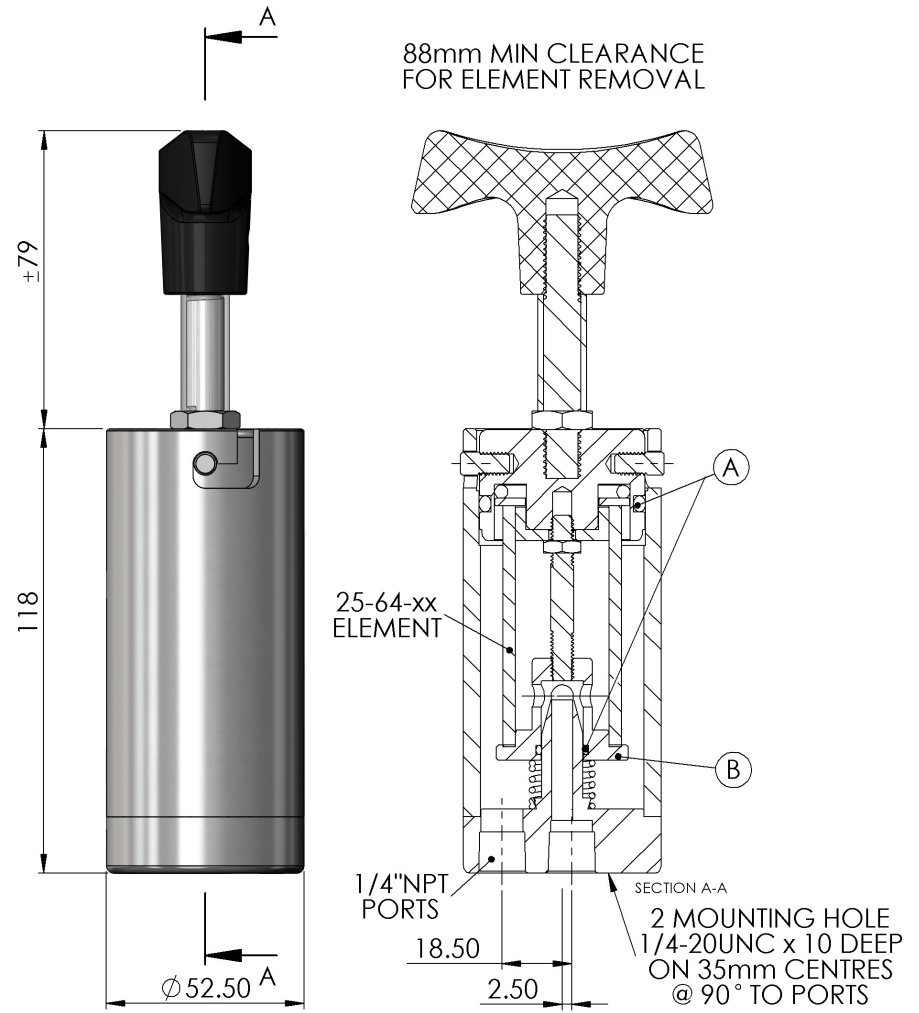


HF Headline Filters

Model: H130TR (1/4" NPT)

Replacement Parts List	
25-64-xx	Disposable Filter Element
SS-25-64-xx	Stainless Steel Filter Element
PT-25-64-xx	PTFE Filter Element
Oxygen Cleaning Service Available Note – Please replace “xx” with micron rating or grade	
Available O-Rings	
GNH130	Nitrile
GVH130	Viton
KZH130	Kalrez™
GSH130	Silicone (Standard)(A)



Headline Filters Limited Mill Hall Business Estate Aylesford Kent, ME20 7JZ www.headlinefilters.com info@headlinefilters.com	Model H130TR		THE COPYRIGHT OF THIS DRAWING IS RESERVED BY HEADLINE FILTERS. IT IS ISSUED ON CONDITION THAT IT IS NOT COPIED, REPRODUCED OR DISCLOSED TO A THIRD PARTY EITHER WHOLLY, OR IN PART WITHOUT CONSENT IN WRITING.
	Material: Head: 316L Stainless Steel Bowl: 316L Stainless Steel Internals: 316L Stainless Steel Standard Gasket / O-ring: Silicone	Port Type: 1/4" NPT Maximum Temperature: 200°C Maximum Pressure: 2 Bar Internal Volume: 100cc Weight: Approx. 1.2kg	
DO NOT SCALE DRAWING IF IN DOUBT ASK	Drawing No. HF4/2678		