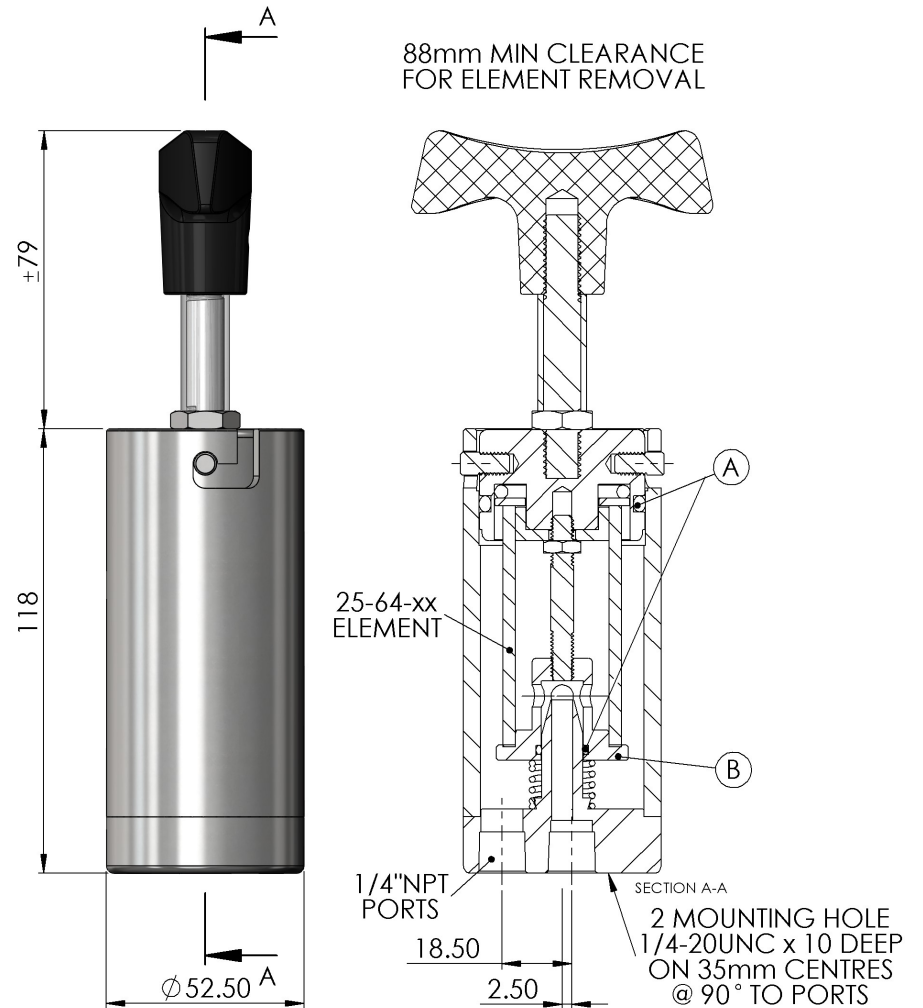


# HF HeadlineFilters

**Model: H130STR (1/4" NPT)**

| Replacement Parts List  |                                |
|---|--------------------------------|
| 25-64-xx  | Disposable Filter Element      |
| SS-25-64-xx   | Stainless Steel Filter Element |
| PT-25-64-xx   | PTFE Filter Element            |
|   |                                |
|   |                                |
|   |                                |
|   |                                |
|   |                                |
|   |                                |
| MB130   | Mounting Bracket               |
| Oxygen Cleaning Service Available<br>Note – Please replace “xx” with micron rating or grade |                                |
| Available O-Rings   |                                |
| GNH130  | Nitrile                        |
| GVH130  | Viton                          |
| KZH130  | Kalrez™                        |
| GSH130  | Silicone (Standard)(A)         |
|   |                                |

Please Note: Exotic Materials are available, for Alloy C-276 (H130H) and for Alloy 400 (H130M).



|  |   |   |  |
|--|---|---|--|
| Headline Filters Limited Mill Hall Business Estate<br>Aylesford<br>Kent, ME20 7JZ<br>www.headlinefilters.com<br>info@headlinefilters.com | <b>Model H130STR</b>  |   | THE COPYRIGHT OF THIS DRAWING IS RESERVED BY HEADLINE FILTERS. IT IS ISSUED ON CONDITION THAT IT IS NOT COPIED, REPRODUCED OR DISCLOSED TO A THIRD PARTY EITHER WHOLLY, OR IN PART WITHOUT CONSENT IN WRITING. |
|  | <b>Material:</b><br>Head: 316L Stainless Steel Bowl:<br>316L Stainless Steel Internals:<br>316L Stainless Steel Standard Gasket / O-ring: Silicon | <b>Drain Type:</b> 1/4" NPT <b>Maximum Temperature:</b> 200°C <b>Maximum Pressure:</b><br><b>Internal Volume:</b><br><b>Weight:</b> |  |
| <b>DO NOT SCALE DRAWING<br/>                 IF IN DOUBT ASK</b>   | <b>Drawing No. HF4/4312</b>   |   |  |